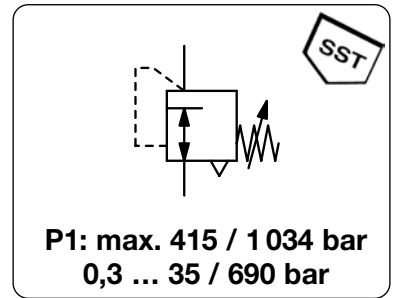


HIGH PRESSURE REGULATOR

HP306

Description	High pressure regulator, piston operated, made of stainless steel, with high sensitivity, excellent accuracy and reliability.		
Media	compressed air and non-corrosive gases or liquids (non-relieving version)		
Supply Pressure	max. 690 bar optionally 415 bar or 1034 bar		
Accuracy	at supply pressure variation of 7 bar: < 100 mbar		
Adjustment	by black plastic adjustment dial		
Relieving Function	standard relieving, optional non-relieving		
Gauge Ports	no ports, optional 1/4" NPT for inlet and outlet pressure, shifted by 60°		
Temperature Range	-40° to 75°C / -40°F to 167°F		
Material	Body: stainless steel 316	Mounting position: any	
	Seal: NBR optional FKM	Spring Cage: stainless steel 300	
	Valve Seat: Vespel	Filter: 40 µm, stainless steel 300, brass by option U	
	Inner Valve: stainless steel 300	Relieving Valve: CTFE	



Dimensions			K _v -value (m³/h)	Flow rate m³/h*1	Flow rate l/min*1	Connection thread NPT	Pressure range bar	Order Number
A	B	ØC						

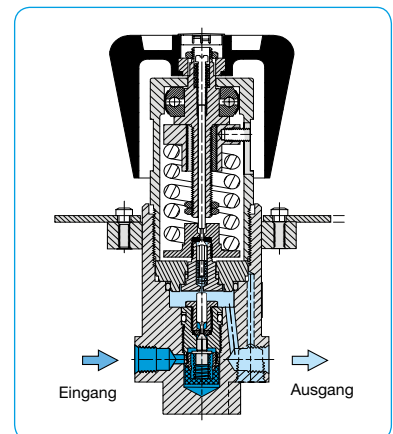
High Pressure Regulator 690 bar					relieving, compressed air, stainless steel, NBR	HP306	
55	175	19	0,05	210	3600	1/4" NPT 0.3 ... 35	HP306-035
				230	3900	1/4" NPT 0.3 ... 55	HP306-055
				280	4800	1/4" NPT 0.7 ... 105	HP306-105
				320	5400	1/4" NPT 1.0 ... 175	HP306-175
				390	6500	1/4" NPT 1.7 ... 275	HP306-280
				420	7000	1/4" NPT 3.4 ... 415	HP306-415
				450	7500	1/4" NPT 14 ... 690	HP306-690

Special options, add the appropriate letter

3/8" NPT	connection thread		HP306-...03
1/2" NPT	connection thread	not possible by option S	HP306-...04
FKM elastomer			HP306-...V
non-relieving	with FKM elastomer		HP306-...VK
for oxygen	special cleaned, P1 < 200 bar		HP306-...15
inlet pressure 415 bar	brass up to pressure range 3.4 ... 415		HP306-...U
inlet pressure 1034 bar	stainless steel		HP306-...S
tapped exhaust	with FKM elastomer, 1/4" NPT		HP306-...VX12
gauge port	1/4" NPT for inlet and outlet		HP306-...M
gauge brass	inlet side	outlet side	HP306-...MGM
gauge stainless steel	inlet side	outlet side	HP306-...MG

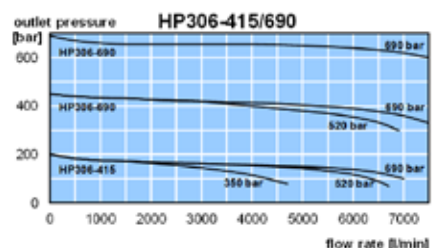
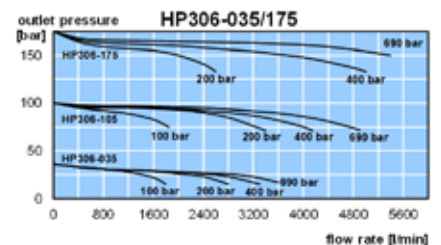
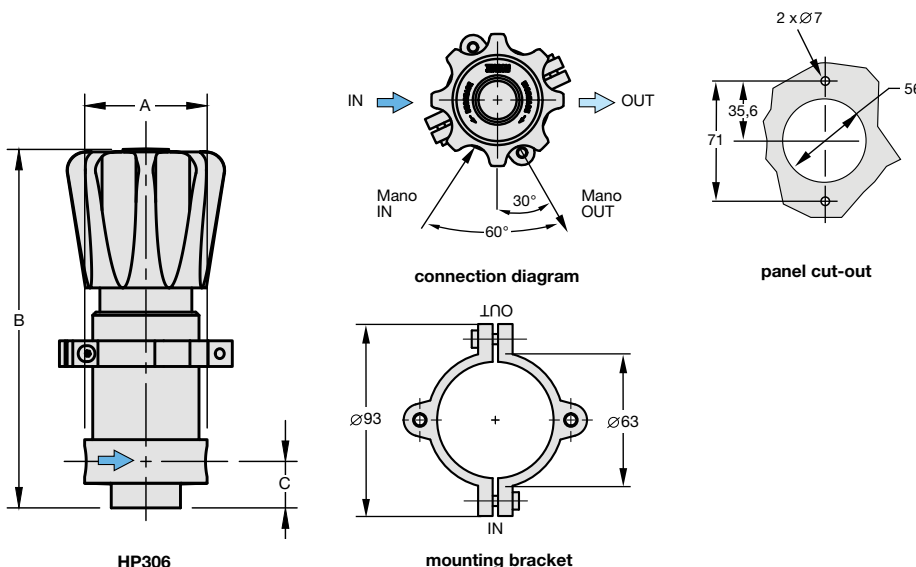


HP306 accessory: mounting bracket



Accessories, enclosed

mounting bracket	made of aluminium	1129
------------------	-------------------	------



*1 at 690 bar inlet pressure, see diaphragm

* Product group

PDF CAD
www.aircom.net



Order example:
HP306-035